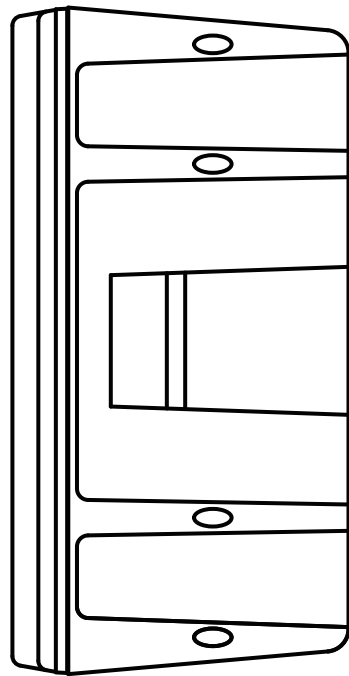
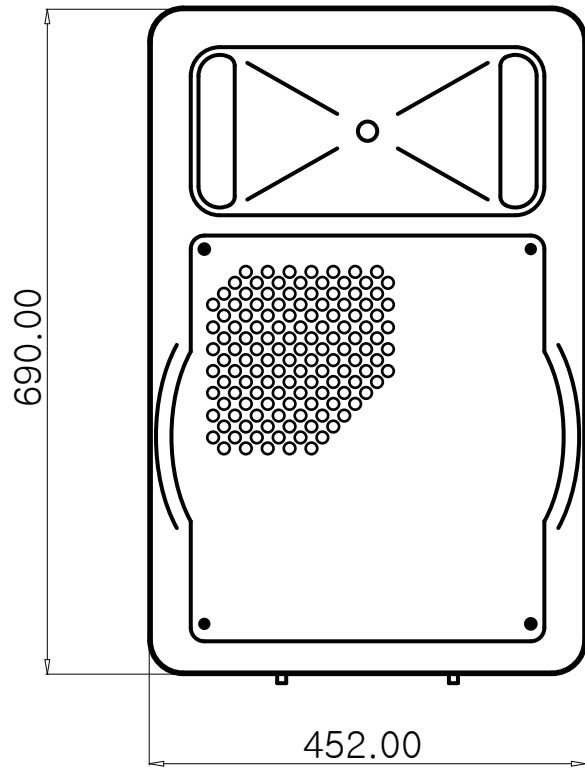
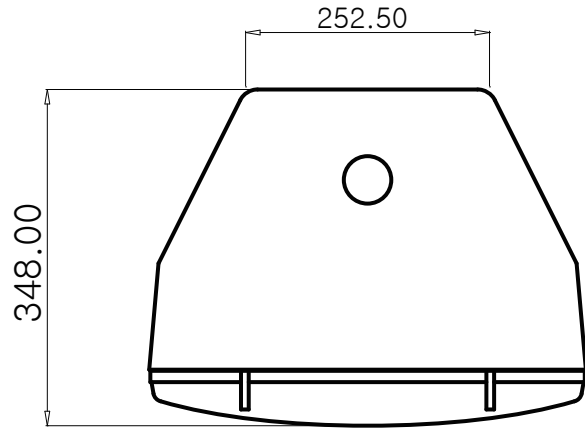


NO.	DESCRIPTION	REVISE REASON	DATE	CHECK
△				
△				
△				
△				



LAYOUT	MODEL	SPM-155AP, SPM-155H			
	TITLE				
	MATERIAL	FINISH/COLOR	Q'TY	SCALE	UNIT
PRODUCT	P-NO		1	1:1	M/M
			DRAWN	CHECK	APPROV
			YSL		
	STK -PROFESSIONAL AUDIO				